

## UNLOADING CANOE INSTRUCTIONS

1. Remove all equipment securing the canoe to the vehicle except for the **Bungee Cord**, which is needed to hold the canoe to the **Canoe Loader**.

2. Lift the end of the canoe at the front of the vehicle and walk it around toward the rear of the vehicle.

3. Set the end of the canoe on the ground directly behind the **Canoe Loader**. *FIGURE M* Always make sure the canoe clears the top of the vehicle while unloading to avoid damaging the roof.

4. Carefully remove the **Bungee Cord** holding the canoe to the **Canoe Loader**. Always use caution when installing or removing the **Bungee Cord**.

5. Carefully remove the canoe from the **Canoe Loader**.

6. Make sure the **Canoe Loader** is clean and dry before storing in the included **Carrying Bag**.



### ATTENTION

If any components of this unit are broken, do not operate properly, or for product returns, please contact Pragotrade Inc. at

**1-800-814-4895**

*Outside the U.S. call 440-638-3131.*

For the online catalog, log onto [www.westonsupply.com](http://www.westonsupply.com).

*Exclusively imported by Pragotrade Inc. Strongsville, Ohio*

[www.pragotrade.com](http://www.pragotrade.com)

**PRAGOTRADE**  
usa  
incorporated

**U-HAUL®**

# CANOE LOADER

## INSTRUCTIONS

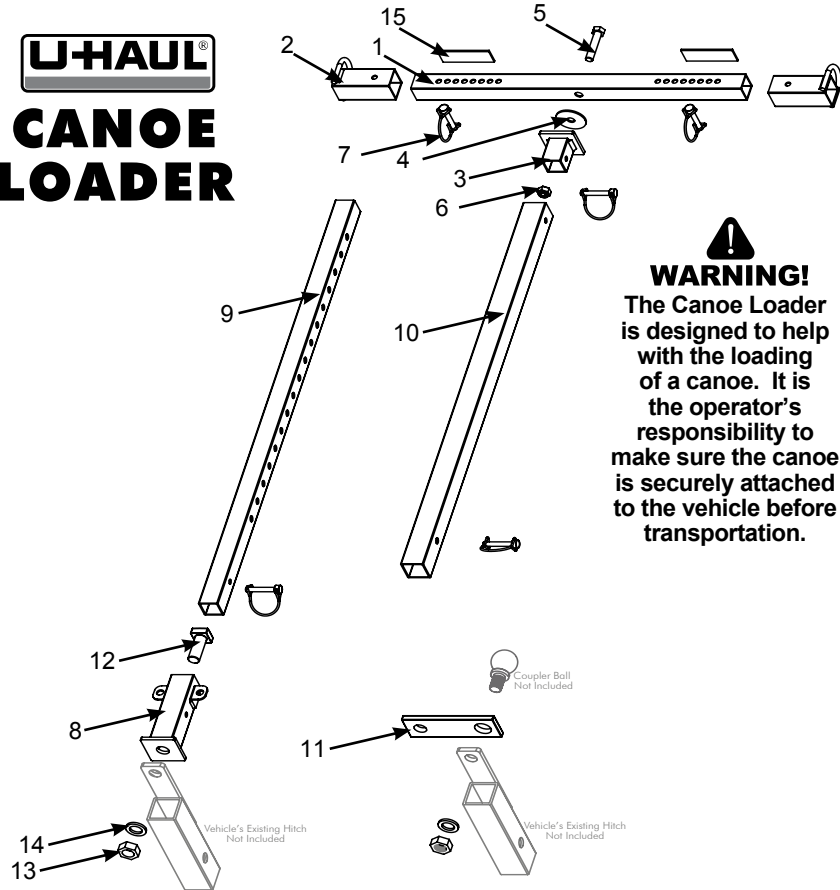
**U-HAUL PART NO. 310901U**



REV020408



# CANOE LOADER



**WARNING!**  
The Canoe Loader is designed to help with the loading of a canoe. It is the operator's responsibility to make sure the canoe is securely attached to the vehicle before transportation.

## COMPONENT LIST

DIAGRAM NUMBER	PART DESCRIPTION	PART NUMBER	DIAGRAM NUMBER	PART DESCRIPTION	PART NUMBER	
Not Shown	Carrying Bag	31-0916	7	Safety Pin (5)	31-0912	
BC	Bungee Cord	31-0917	8	Hitch Mounting Tube	31-0902	
TDS	Tie Down Strap	31-0918	9	Inner Adjustment Pole	31-0903	
CROSS BAR ASSEMBLY*	1	Cross Bar	31-0906	10	Outer Adjustment Pole	31-0904
	2	Cross Bar Bracket (2)	31-0907	11	Adapter Plate	31-0905
	3	Cross Bar Base	31-0908	12	Square Head Bolt	31-0909
	4	Nylon Washer	31-0913	13	Hex Nut	31-0910
	5	Cross Bar Bolt	31-0914	14	Lock Washer	31-0911
	6	Cross Bar Lock Nut	31-0915	15	Rubber Protective Strip (2)	31-0919

If any components of this unit are broken or the unit does not operate properly, call Pragotrade Inc. **Toll Free at**

**1-800-814-4895**

Monday thru Friday 8:00am-5:00pm EST.  
Outside the U.S. call 440-638-3131

\*NOTE: The Cross Bar Assembly is composed of parts 1 through 6 and includes 3 Safety Pins. The Cross Bar Assembly comes fully assembled and tightened to factory specifications. No adjustment to the Cross Bar Bolt is necessary.

# WARRANTY INFORMATION

SAVE THIS WARRANTY INFORMATION FOR YOUR RECORDS!

Pragotrade Inc. warrants to the ORIGINAL RETAIL PURCHASER of this product that if operated in accordance with the printed instruction accompanying it, then for a period of 1 year from the date of purchase, the product shall be free from defects in material and workmanship.

The Warranty Card, along with a copy of the original receipt, must be received by Pragotrade Inc. within 30 days from purchase date for the warranty to apply. Failure to send the completely filled out Warranty Card, along with a copy of the original receipt, will void the warranty.

The product must be delivered to or shipped freight prepaid to Pragotrade Inc. for warranty services, in either its original packaging or similar packaging affording an equal degree of protection. Damage due to shipping is not the responsibility of the company. Pragotrade Inc. charges a \$35.00 per hour bench charge. NOTE: No repairs will be started without the authorization of the customer. The return shipping cost to the customer will be added to the repair invoice.

Pragotrade Inc. will repair (or at its discretion, replace) the product free of charge, if in the judgment of the company, it has been proven to be defective as to seller's labor and material, within the warranty period.

New or rebuilt replacements for factory defective parts will be supplied for one (1) year from the date of purchase. Replacement parts are warranted for the remainder of the original warranty period.

For non-warranty repairs, contact Pragotrade's Customer Service at 1-800-814-4895 M-F 8am-5pm EST (outside of the United States 440-638-3131) to obtain a Return Authorization Number (RMA Number). Pragotrade will refuse all returns that do not contain this number. **DO NOT RETURN THE UNIT WITHOUT PROPER AUTHORIZATION FROM PRAGOTRADE USA, INC.**

LIMITATIONS: The warranty is void if the product is used for any purpose other than which it is designed. The product must not have been previously altered, repaired, or serviced by anyone else other than Pragotrade Inc. If applicable, the serial number must not have been altered or removed. The product must not have been subjected to accident in transit or while in the customer's possession, misused, abused, or operated contrary to the instructions contained in the instruction manual. This includes failure caused by neglect of reasonable and necessary maintenance, improper line voltage and acts of nature. This warranty is not transferable and applies only to U.S. and Canadian sales.

Except to the extent prohibited by applicable law, no other warranties whether expressed or implied, including warranty merchantability and fitness for a particular purpose, shall apply to this product. Under no circumstances shall Pragotrade Inc. be liable for consequential damages sustained in connection with said product and Pragotrade Inc. neither assumes nor authorizes any representative or other person to assume for it any obligation or liability other than such as is expressly set forth herein. Any applicable implied warranties are also limited to the one (1) year period of the limited warranty.

This warranty covers only the product and its specific parts, not the food or other products processed in it. **CUT ALONG THE DOTTED LINE AND SEND THE WARRANTY CARD ALONG WITH A COPY OF YOUR ORIGINAL PURCHASE RECEIPT TO:**

**Pragotrade Inc.**  
20365 Progress Drive, Strongsville, OH 44149

# WARRANTY CARD

SEND THIS CARD ALONG WITH A COPY OF YOUR ORIGINAL PURCHASE RECEIPT

Customer Name: \_\_\_\_\_

Address: \_\_\_\_\_

City/State/Zip: \_\_\_\_\_

Telephone Number: (\_\_\_\_\_) \_\_\_\_\_

E-Mail Address: \_\_\_\_\_

Original Date of Purchase: \_\_\_\_ / \_\_\_\_ / \_\_\_\_

Product Model #: \_\_\_\_\_

Serial # (if applicable): \_\_\_\_\_

5. At this point, the canoe should be positioned similar to the one shown in FIGURE F.



6. Lift the other end of the canoe off of the ground and slowly walk it around to the front of the vehicle. Be sure the canoe clears the top of the vehicle while loading to avoid damaging the roof. Readjust **Cross Bar** height if necessary.

FIGURES G & H



7. The canoe is to be as close as possible to the top of the vehicle when loaded. Unload canoe and adjust **Cross Bar** height if necessary.

8. Secure canoe to vehicle and **Canoe Loader**. You can use the included **Tie-Down Strap**. Other means of securing the canoe are necessary. Don't underestimate the amount of equipment required to secure a canoe to a vehicle for transport.

FIGURES I & J



9. The **Tie-Down Strap** can be connected to the loops on the sides of the **Hitch Mounting Tube**. FIGURE K

10. Wrap the excess **Tie-Down Strap** around the base of the **Canoe Loader** and securely tie in place. FIGURE K



## WARNING!

Be sure to secure the front of the canoe to the vehicle. One tie-down strap is not enough to safely transport a canoe!

## GENERAL SAFETY RULES



## WARNING!

READ AND FULLY UNDERSTAND ALL INSTRUCTIONS AND WARNINGS PRIOR TO USING THIS UNIT. YOUR SAFETY IS MOST IMPORTANT! FAILURE TO COMPLY WITH PROCEDURES AND SAFE GUARDS MAY RESULT IN SERIOUS INJURY OR PROPERTY DAMAGE. REMEMBER: YOUR PERSONAL SAFETY IS YOUR RESPONSIBILITY!

1. Read and understand all instructions before assembling, installing and using this product. **DO NOT** allow children or anyone unfamiliar with this product or these instructions to use this Canoe Loader.
2. Follow all of the manufacturer's instructions for the trailer hitch on which this Canoe Loader will be installed.
3. Only install the Canoe Loader as stated in these instructions.
4. Neither Pragotrade nor its agents are responsible for accidents, injuries or property losses that may occur due to unauthorized alteration, modification or incorrect assembly or disassembly of this Canoe Loader.
5. **MAXIMUM LOAD CAPACITY** of the Canoe Loader is 100 pounds (45.4 kg) evenly distributed.
6. **ALWAYS** secure vehicle from moving while using the Canoe Loader. Shut off the vehicle engine before loading or unloading a canoe with the Canoe Loader.
7. If using a hitch ball in conjunction with the Canoe Loader, **BE SURE** to follow mounting instructions using the adapter plate. **BE SURE** the hitch ball threads are long enough to securely fasten the hitch ball to the hitch. When fully tightened, two complete threads of the hitch ball should extend past the hex nut.
8. Secure the canoe to the Canoe Loader before lifting and rotating it into place. **Disregarding this warning could result in serious injury or property damage.**
9. **ALWAYS** load/unload a canoe with the Canoe Loader in an area free from obstructions.
10. **ALWAYS** check all Canoe Loader connections before use. The T-Bar connection should be tight enough to prevent the T-Bar from spinning freely.
11. **ALWAYS** be sure the Safety Pins are fully inserted and the retainers are secured in place.
12. Follow all Federal, State and Local regulations, including all traffic laws when transporting the canoe with the Canoe Loader. **SECURE A RED FLAG TO THE REAR OF THE CANOE BEFORE TRANSPORTING.**
13. **ALWAYS REMEMBER THAT A ROOF-MOUNTED CANOE WILL REQUIRE ADDITIONAL OVERHEAD CLEARANCE.**

## SAVE THESE INSTRUCTIONS

For future reference and to instruct others!

## ASSEMBLY INSTRUCTIONS

1. Remove the hitch ball from the trailer hitch mounted to your vehicle. Set the hitch ball and the fasteners aside.

2. Remove the **Nut** and **Lock Washer** from the **Bolt** extending from the bottom of the **Hitch Mounting Tube**.

3. If you intend to pull a trailer with the **Canoe Loader** installed, go to Step A in the **TO PULL A TRAILER WITH THE CANOE LOADER** section.

4. Insert the **Bolt** extending from the **Hitch Mounting Tube** into the hole formerly occupied by the hitch ball.

5. Secure using the **Lock Washer** and **Hex Nut**. Securely tighten.

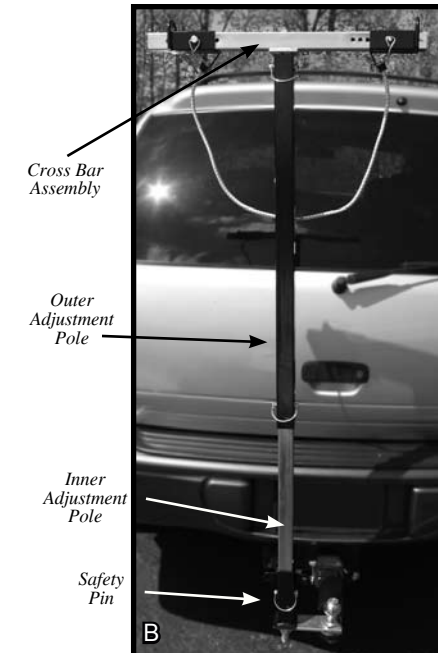
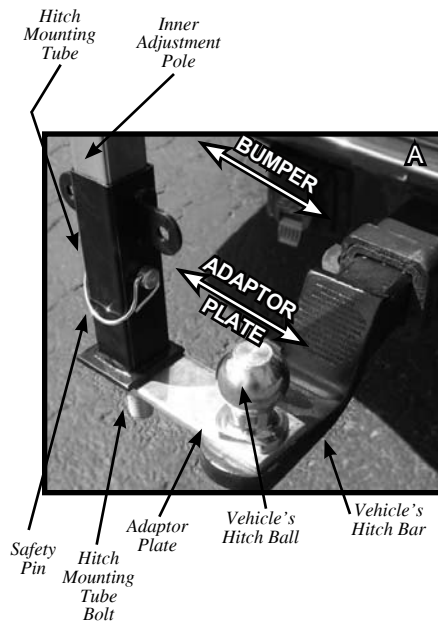
6. Insert the end of the **Inner Adjustment Pole** with the single, isolated hole into the **Hitch Mounting Tube**. Make sure the hole is aligned with the corresponding hole in the **Hitch Mounting Tube**. Secure the two parts with a **Safety Pin**. Reconnect the **Safety Pin** retainer after installation.

7. Slide the **Outer Adjustment Pole** over the **Inner Adjustment Pole**.

8. Insert the **Cross Bar Base** of the **Cross Bar Assembly** into the top of **Outer Adjustment Bar**. Make sure the hole in the **Base Piece** is aligned with the corresponding hole in the **Outer Adjustment Bar**. Secure the two parts with a **Safety Pin**. *Figure B*

9. Remove the **Safety Pins** securing the **Cross Bar Brackets**.

10. Remove the **Cross Bar Brackets** and reinstall them so that the half rings and **Rubber Protective Strips** are pointing up. Adjust the brackets so the canoe will be centered on the **Cross Bar** when loaded. Secure the brackets to the **Cross Bar** with **Safety Pins**. Make sure the pin retainers are pointing down when reconnected.



11. Adjust the height of the **Cross Bar** by sliding the **Outer Adjustment Pole** upward. Align the hole at the bottom of the **Outer Adjustment Pole** with the nearest corresponding hole in the **Inner Adjustment Pole**. Secure the two parts with a **Safety Pin**. Reconnect the **Safety Pin** retainer after installation.

12. **Canoe Loader** installation is complete. *Figure B*

13. Proceed to **LOADING A CANOE INSTRUCTIONS**.

### TO PULL A TRAILER WITH THE CANOE LOADER

A. Insert the hitch ball threads into the large hole in the **Adapter Plate**.

B. Reinstall the hitch ball onto the trailer hitch with the **Adapter Plate** sandwiched in between and parallel with the rear of the vehicle. *FIGURE A*

C. Fasten the hitch ball to the trailer hitch, using the fasteners from STEP 1.

D. Insert the **Bolt** extending from the bottom of the **Hitch Mounting Tube** into the remaining (small) hole in the **Adapter Plate**. *Figure A*

E. Go to Step 5 of the **Assembly Instructions**.

## LOADING A CANOE INSTRUCTIONS

1. Position the canoe upside down directly behind the vehicle. *FIGURE C*



2. Lift the end of the canoe closest to the vehicle and set it onto the **Cross Bar**. *FIGURE D*

3. Adjust the **Cross Bar Brackets** so the sides of the canoe rest on the **Rubber Protective Strips**. The canoe is to be centered on the **Cross Bar**.



4. Use the **Bungee Cord** to hold the canoe in place while loading. Hook the **Bungee Cord** ends into the half rings on the **Cross Bar Brackets**. Wrap the **Bungee Cord** around the canoe. *FIGURE E*